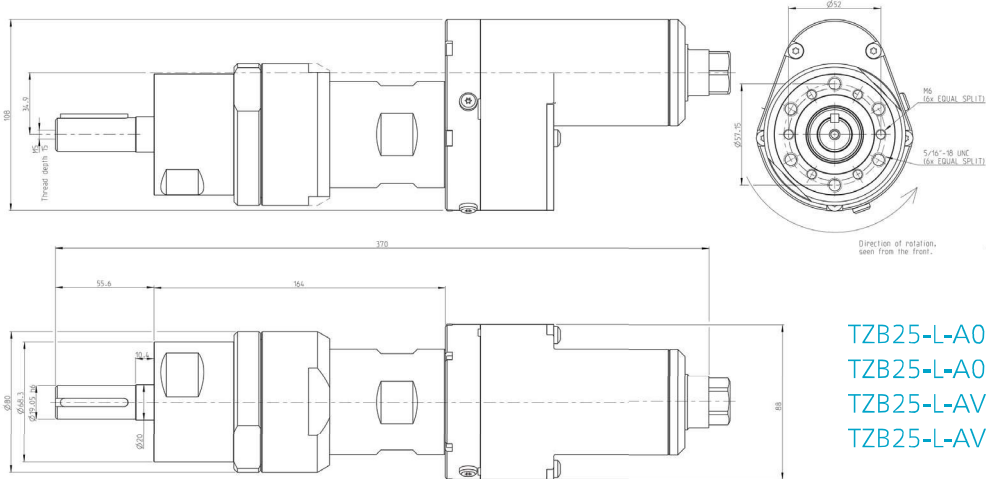


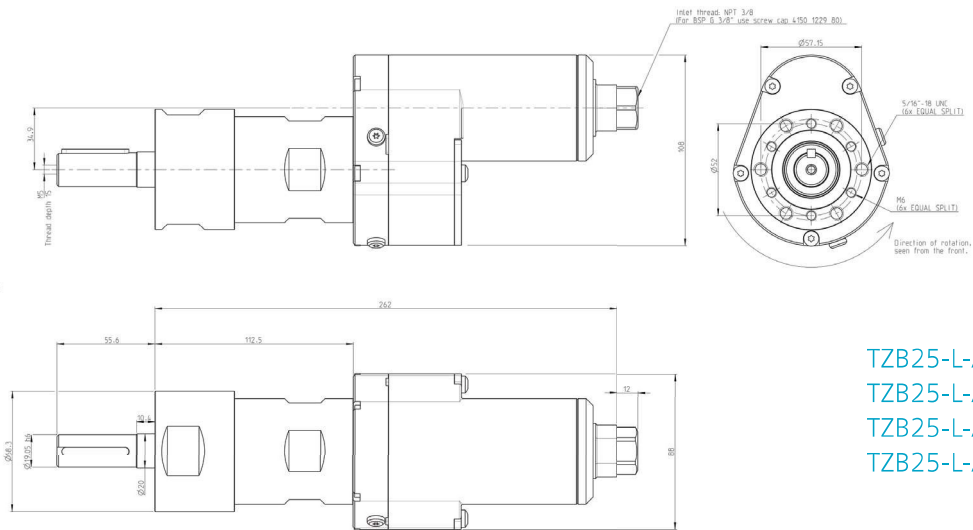
TZB 25 - 1" Output shaft



Dimensional drawings



TZB25-L-A0008-14
 TZB25-L-A0012-14
 TZB25-L-AV0008-14
 TZB25-L-AV0012-14



TZB25-L-A0032-14
 TZB25-L-A0050-14
 TZB25-L-AV0032-14
 TZB25-L-AV0053-14

Technical data at a pressure of 6.3 bar (91 psi)

Model	Max output		Speed at max output rpm	Torque at max output		Min starting torque		Stall torque Nm	Stall torque lb-ft	Free speed rpm	Air consumption at max output		Weight		Shaft loading code	Ordering no.
	kW	hp		Nm	lb-ft	Nm	lb-ft				l/s	cfm	kg	lb		
TZB25-L-A0008-14	2.30	3.10	70	305	225	566	418	589	435	80	33	70	5.3	11.7	h	8411 3100 16
TZB25-L-A0012-14	2.30	3.10	110	200	150	367	271	382	282	120	33	70	5.3	11.7	h	8411 3100 24
TZB25-L-A0032-14	2.30	3.10	280	80	60	139	102	144	106	320	33	70	3.5	7.7	d	8411 3100 32
TZB25-L-A0050-14	2.30	3.10	440	50	37	90	66	93	69	500	33	70	3.5	7.7	d	8411 3100 40
TZB25-L-AV0008-14	2.30	3.10	70	305	225	565	417	588	434	80	33	70	5.3	11.7	h	8411 3100 57
TZB25-L-AV0012-14	2.30	3.10	100	220	165	391	288	406	300	115	33	70	5.3	11.7	h	8411 3100 65
TZB25-L-AV0032-14	2.30	3.10	280	80	60	138	102	144	106	320	33	70	3.5	7.7	d	8411 3100 73
TZB25-L-AV0053-14	2.30	3.10	470	48	35	84	62	88	65	530	33	70	3.5	7.7	d	8411 3100 81