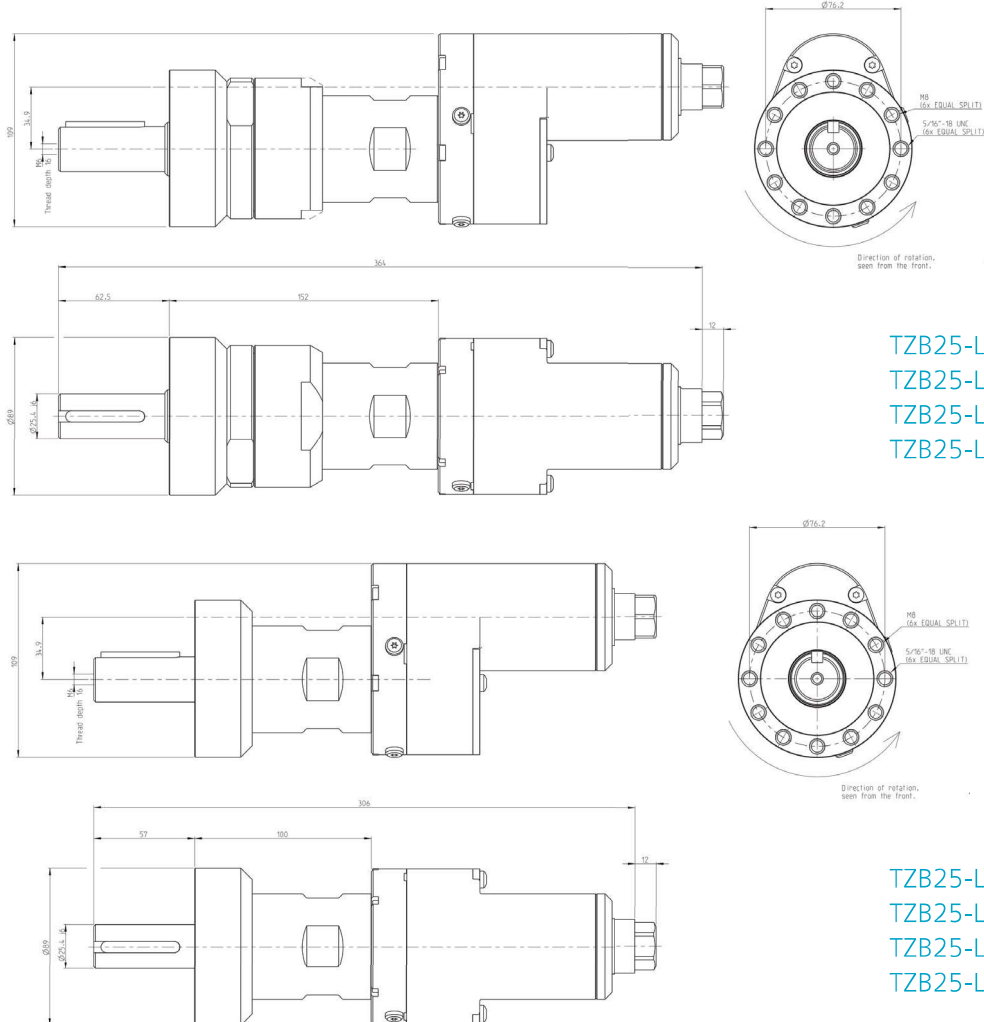


# TZB 25 - 3/4" output shaft



## Dimensional drawings



TZB25-L-A0008-15  
 TZB25-L-A0012-15  
 TZB25-L-AV0008-15  
 TZB25-L-AV0012-15

TZB25-L-A0032-15  
 TZB25-L-A0050-15  
 TZB25-L-AV0032-15  
 TZB25-L-AV0053-15

## Technical data at a pressure of 6.3 bar (91 psi)

Model	Max output		Speed at max output rpm	Torque at max output		Min starting torque		Stall torque Nm	Stall torque lb-ft	Free speed rpm	Air consumption at max output		Weight		Shaft loading code	Ordering no.
	kW	hp		Nm	lb-ft	Nm	lb-ft				l/s	cfm	kg	lb		
TZB25-L-A0008-15	2.30	3.10	70	305	225	566	418	589	435	80	33	70	5.6	12.3	h	8411 3100 17
TZB25-L-A0012-15	2.30	3.10	110	200	150	367	271	382	282	120	33	70	5.6	12.3	h	8411 3100 25
TZB25-L-A0032-15	2.30	3.10	280	80	60	139	102	144	106	320	33	70	3.8	8.4	d	8411 3100 33
TZB25-L-A0050-15	2.30	3.10	440	50	37	90	66	93	69	500	33	70	3.8	8.4	d	8411 3100 41
TZB25-L-AV0008-15	2.30	3.10	70	305	225	565	417	588	434	80	33	70	5.6	12.3	h	8411 3100 58
TZB25-L-AV0012-15	2.30	3.10	100	220	165	391	288	406	300	115	33	70	5.6	12.3	h	8411 3100 66
TZB25-L-AV0032-15	2.30	3.10	280	80	60	138	102	144	106	320	33	70	3.8	8.4	d	8411 3100 74
TZB25-L-AV0053-15	2.30	3.10	470	48	35	84	62	88	65	530	33	70	3.8	8.4	d	8411 3100 82

All models have ATEX certification in accordance with EC directive.

EX II 2 GD h T4 IIh T135°C X  
 -20°C ≤ Ta ≤ 60°C

